



# Temporary Work Light

Ideal for all new construction and temporary lighting applications



## TECHNICAL DATA



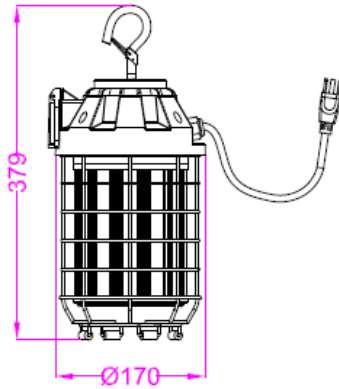
### LIGHT SPECIFICATIONS

Lumens	12,500 lm
Efficacy	125 lm/W
CCT	5000K
Beam angle	266°
CRI	>80
Rated hours	50,000 hrs
Warranty	5-year

### APPROVALS AND LISTINGS

cUL	E501441
-----	---------

### DIMENSIONS



### ELECTRICAL

Wattage	100W
Voltage	120V
Power factor	>0.90
THD	<20%
Operating temp	-20 to 45°C

### CONSTRUCTION

Housing	PC and Aluminum
Colour	Orange
IP rating	IP64
Weight	4.78 lbs
Carton qty	4